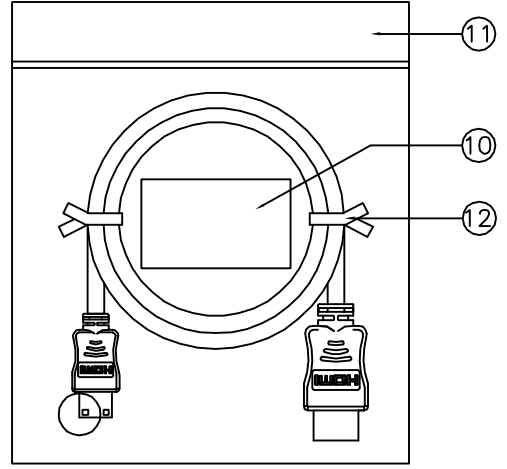
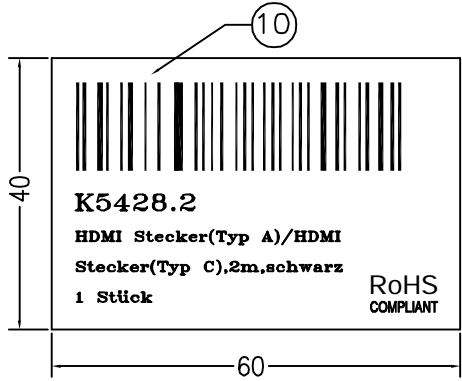
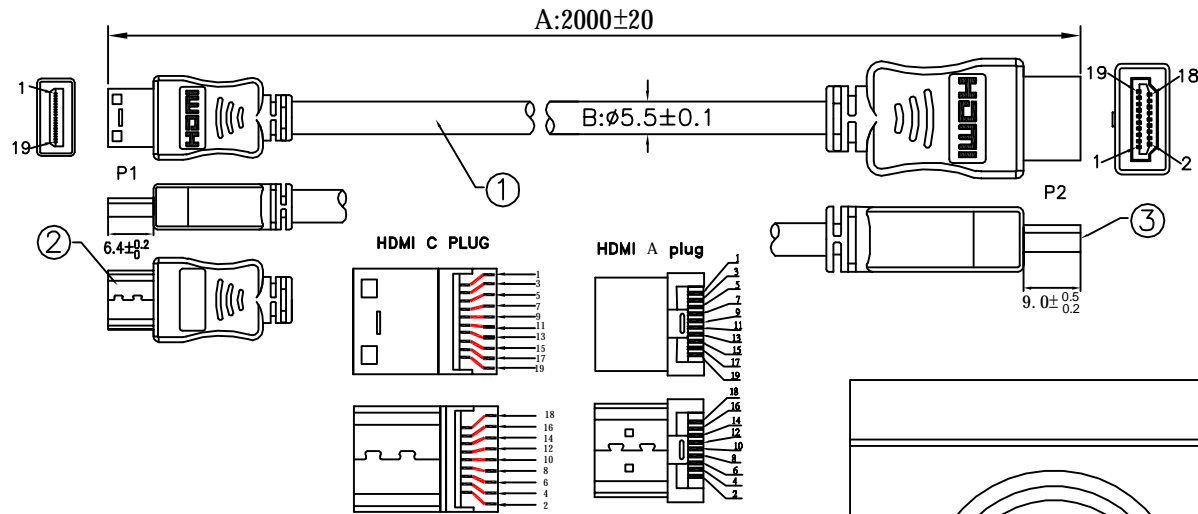


WEIGHT	CUSTOMER NO:	REMARK
98g-K1	K5428.2	EFB



P1 HDMI C TYPE		P2 HDMI A TYPE	
1		2	GND
2		1	WHITE
3		3	RED
4		5	GND
5		4	WHITE
6		6	GREEN
7		8	GND
8		7	WHITE
9		9	BLUE
10		11	GND
11		10	WHITE
12		12	BROWN
13		17	RED
14		13	GRAY
15		15	YELLOW
16		16	ORANGE
17		14	PURPLE
18		18	WHITE
19		19	PINK
SHELL		BRAID	
		SHELL	

NOTES:

- (1) PRIMARY DIM: A
- (2) HDMI 1.3 CABLE
- (3) PRODUCT RoHS COMPLIANT.

4	OUTER JACKET PVC 60Pa BLACK(1101) (RoHS)
3	HDMI A TYPE PLUG TERMINAL & SHELL GOLD FLASH SOLDER TYPE W/O MATEL(RoHS)
2	HDMI C TYPE PLUG BLACK TERMINAL&SHELL PLATED GOLD SOLDER TYPE WITH PCB (RoHS)
1	UL20276 (30#1P+A+D)*4+30#1P+28#5C+A+B(128B,AM)+D OD:5.5MM BLACK (1101) ROHS 1.3REV 2000MM

DRAWING APPROVED _____ DATE: _____		SAMPLE APPROVED PER _____ DATE: _____	
DRAWING SPECIFICATIONS _____			
PROPRIETARY & CONFIDENTIAL. THIS DOCUMENT MAY NOT BE COPIED, OR DISCLOSED IN WHOLE OR IN PART WITHOUT THE WRITTEN CONSENT OF EFB.			
⊗	MM	TITLE	
SCALE	/ /	HDMI CABLE	
SHEET	1/1	CUS. NAME	
DIMENSIONAL TOLERANCES UNLESS OTHERWISE NOTED		CUS. P/N	
<input type="checkbox"/> O	X±	ENG.	
<input type="checkbox"/> S	XXX±	DATE	
REV. A	ANGLES±	CHECKED	
CUS.REV		DATE	
DRAW NO.		APPROVED	
2162-1627		DATE	