

Network Architecture

- Manage up to 6 wireless APs, upgradable to 24 APs¹ per controller
- Control up to 24 wireless APs, maximum 96 APs¹ per cluster

Robust Network Security

- Wireless Intrusion Detection System (WIDS)
- Rogue AP Detection & Classification
- Captive Portal
- WEP, WPA Personal/Enterprise, WPA2 Personal/Enterprise
- 802.1x
- Firewall Policy²
- IPSec/PPTP/L2TP/SSL VPN²
- Web Content Filtering²

Fault Tolerance

- Option ports traffic failover²
- Outbound load balancing²

Compatible D-Link Wireless Access Points

- DWL-8600AP (802.11n/g/b/a)
- DWL-6600AP (802.11n/g/b/a)
- DWL-3600AP (802.11n/g/b)

Wireless Controller



The D-Link DWC-1000 Wireless Controller is a centralized wireless LAN manager developed specifically for campuses, branch offices, and small-to-medium enterprises (SMBs). With the ability to manage up to six wireless access points (upgradable to 24) and a maximum of 96 wireless access points in a Controller Cluster, the DWC-1000 is a cost-effective mobility solution for small to medium-scale environments. Its auto-managed AP discovery and single point management allow customers to acquire an enterprise class system without the burden of executing massive and complex configurations. With a robust and comprehensive security detection system, the DWC-1000 also enables managed APs to block potential attacks from unauthorized users and devices, especially for wireless environments.

Robust and Optimized Network

The DWC-1000 features a self-organizing, self-optimizing, and self-healing network capability to increase the stability of the entire wireless network. With regular-based radio scanning and performance analyzing, the DWC-1000 automatically adjusts radio channels and power periodically to avoid interference and keep the wireless network in an optimized state. To make up for a sudden RF signal vacuum created by any "dead" access point, the DWC-1000 will increase the transmit output power of neighboring access points to expand RF coverage.

Comprehensive Security

The DWC-1000 provides a comprehensive wireless security solution for any network. On the wireless side, empowered by a Wireless Intrusion Detection System (WIDS), the DWC-1000 detects rogue access points and rogue clients as well as anticipates wireless threats, preventing any potential damage and illegal access. In addition to other fundamental wireless security features including WEP, WPA Personal/Enterprise, WPA2 Personal/Enterprise, and MAC Authentication to determine the identity of wireless devices, the Captive Portal feature allows you to block clients from accessing the network until the clients verify their identities. This double-layer authentication and authorization provides a robust security fence to also protect against attacks from within the network.

High Scalability, Availability, and Flexibility

Many companies are frequently changing in terms of size and organizational structure. To address such changing needs, the DWC-1000 offers a new dimension in feature selections: administrators can purchase a Business Wireless Plus license to upgrade the DWC-1000's capabilities. D-Link offers two types of Business Wireless Plus licenses: an AP license upgrade and a VPN license upgrade.

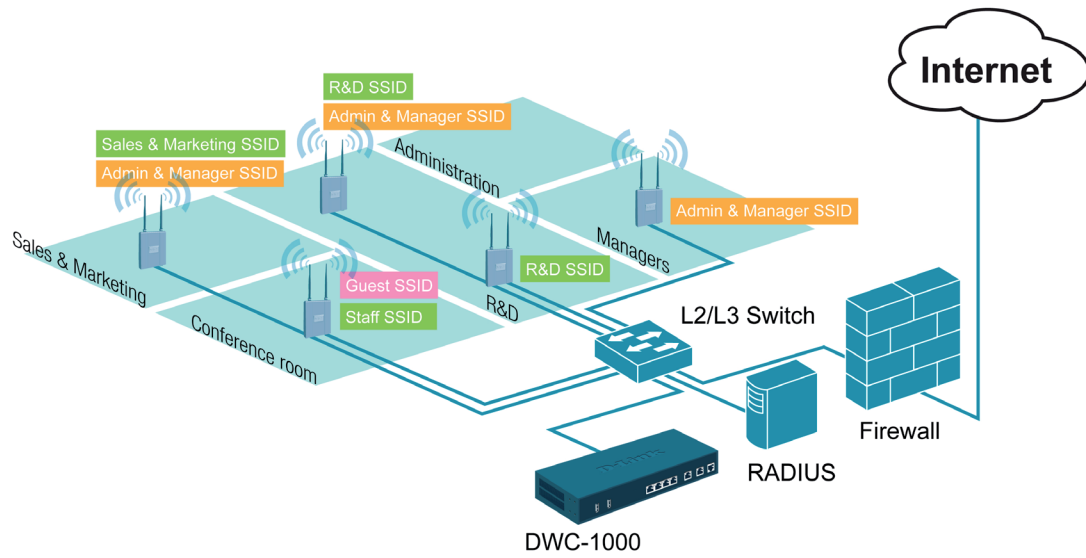
The AP license upgrade increases the number of manageable access points. The DWC-1000 Wireless Controller manages up to six access points by default and after AP license upgrading, can manage up to 24 access points per controller.

The VPN license upgrade enables the DWC-1000 to provide VPN, Router, and Firewall functionality. The firewall function allows administrators to control network access by setting classification policies. The dual Option ports provide link failover and provide Internet connection redundancy to ensure Internet access. The virtual private network (VPN) features provide secure remote control to manage access points in branch offices. Site-to-site VPN tunnels use IP Security (IPSec) Protocol, Point-to-Point Tunneling Protocol (PPTP), or Layer 2 Tunneling Protocol (L2TP) to facilitate branch office connectivity through encrypted virtual links. In addition, the Secure Sockets Layer (SSL) VPN tunnels empower your mobile users by providing remote access to a central corporate database.

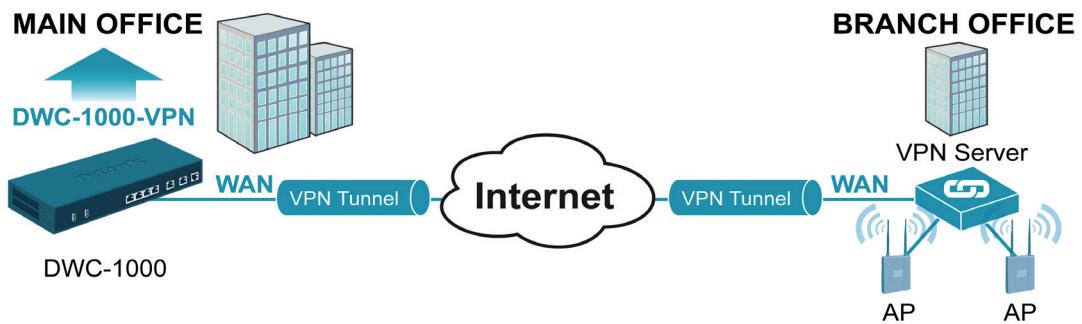
Simplified Management

Centralized remote control of managed access points provide a simple way to automatically discover compatible D-Link Wireless Access Points, add them into the managed access point list, and configure them with one-time configuration dispatch settings. With the controller clustering feature, the administrator can easily log into one wireless controller and perform essential configurations on others within the group. The real-time monitoring of access points and associated client stations enable the efficient utilization of network resources. System alarms and statistics reports on managed access points also help the administrator to use the DWC-1000 to manage, control, and optimize network performance.

Network Implementation within L2/L3 Network in an SMB Environment



Remotely Managed AP Implementation (VPN/Router/Firewall license upgrade required)





Wireless Controller

Technical Specifications

Interface	Ethernet	2 10/100/1000 Option Ports ³ 4 10/100/1000 LAN Ports
	USB	2 USB 2.0 Ports
	Console	RJ-45
Capacity and Performance	Maximum Access Points per unit (default/ upgrade)	6/ 24 ¹
	Maximum Access Points per cluster (default/ upgrade)	24/ 96 ¹
	Concurrent Captive Portal authentication users (Wired/ Wireless)	124/ 400
	Dedicated IPSec VPN tunnels ²	70
	Dedicated PPTP/ L2TP VPN tunnels ²	25
	Dedicated SSL VPN tunnels ²	20
Access Point Management	Compatible Managed APs	DWL-8600AP DWL-6600AP DWL-3600AP
	AP Discovery & Control	Layer-2 Layer-3
	AP Monitoring	Managed AP Rogue AP Authentication Fail AP Standalone AP
	Client Monitoring	Authenticated Client Rogue Client Authentication Fail Client Ad-hoc Client
	Centralized RF/Security Policy Management	Supported



Wireless Controller

Roaming	Fast Roaming	Supported
	Intra-controller/ Inter-controller roaming	Supported
	Intra-subnet/ Inter-subnet roaming	Supported
Security	Wireless Security	WEP Dynamic WEP WPA Personal/ Enterprise WPA2 Personal/ Enterprise
	Wireless Instruction Detection & Prevention System (WIDS)	Rogue and Valid AP Classification Rogue AP Mitigation
	LAN Security	802.1x port-based access control and guest VLAN
	Authentication	Captive Portal MAC Authentication
VLAN	VLAN Group	Up to 255 entries
	802.1q VLAN Tagging	Supported
	Subnet-based VLAN	Supported
	Port-based VLAN	Supported
Firewall System ²	Policy	Each feature supports 100 rules Supports up to 600 firewall rules
	Dynamic Route	RIPv1, RIPv2
	Dynamic DNS	Supported
	NAT, PAT	Supported
	Web Content Filtering	Static URL Keywords
Networking ²	Route Failover	Supported
	Outbound Load Balancing	Supported
Virtual Private Network (VPN) ²	Encryption Methods	DES, 3DES, AES, Twofish, Blowfish, CAST-128, NULL
	IPSec NAT Traversal	Supported
	Dead Peer Detection	Supported
	IP Encapsulating Security Payload (ESP)	Supported
	IP Authentication Header (AH)	Supported
	VPN Tunnel Keep Alive	Supported
	Hub and Spoke	Supported
SSL Virtual Private Network (SSL VPN) ²	SSL Encryption Methods	DES, 3DES, AES
	SSL Message Integrity	MD5, SHA1



Wireless Controller

System Management	Web-based User Interface	HTTP
	Command Line Interface	Supported
	SNMP	v1, v2c, v3
Physical & Environment	Power Supply	Internal power supply: DC 12V/2.5A
	Max. Power Consumption	19.3 W
	Dimension	180 x 280 x 44 mm (7.09 x 11.02 x 1.73 inches)
	Operation Temperature	0 to 40 °C (32 to 104 °F)
	Storage Temperature	-20 to 70 °C (-4 to 158 °F)
	Operation Humidity	5% to 95%, Non-condensing
	EMI	FCC Class B, CE Class B, VCCI, C-tick, IC
	Safety	cUL, LVD (EN60950-1)

Optional Products

Compatible D-Link Wireless Access Points

DWL-8600AP	Unified Concurrent Dual-band Access Point 802.11n/g/b/a
DWL-6600AP	Unified Concurrent Dual-band Access Point 802.11n/g/b/a
DWL-3600AP	Unified Access Point 802.11n/g/b

Compatible D-Link Business Wireless Plus Licenses

DWC-1000-AP6/ DWC-1000-AP6-LIC	Enables management of 6 additional APs
DWC-1000-VPN/ DWC-1000-VPN-LIC	Enables VPN, router, and firewall functions

¹The number of managed APs can be increased through purchase of license upgrades.

²Features enabled through purchase of the VPN/Router/Firewall license upgrade.

³The first Option port is enabled by default. The second Option port is enabled through purchase of the VPN/Router/Firewall license upgrade.



D-Link Corporation
No. 289 Xinhua 3rd Road, Neihu, Taipei 114, Taiwan
Specifications are subject to change without notice.
D-Link is a registered trademark of D-Link Corporation and its overseas subsidiaries.
All other trademarks belong to their respective owners.
©2011 D-Link Corporation. All rights reserved.
Release 01 (November 2011)