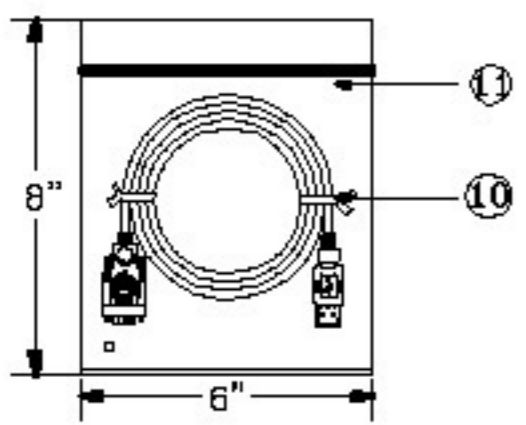
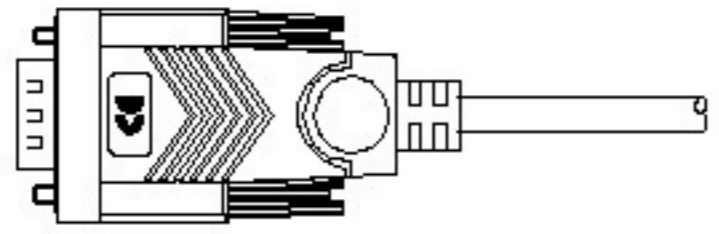
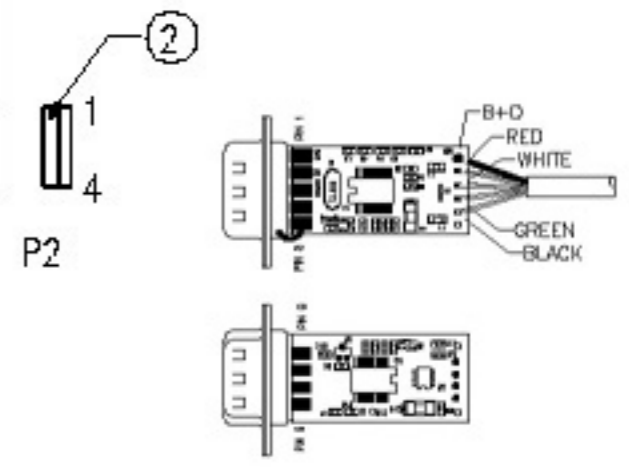
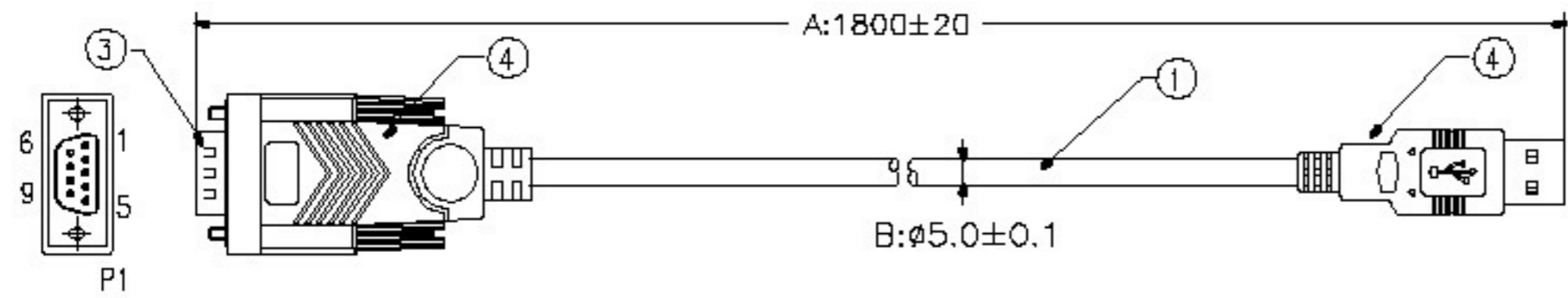


CUSTOMER NO:	REMARK
EB853B	E.F.B



PINOUT:

P1	P2
1	1 RED
2	2 WHITE
3	3 GREEN
4	4 BLACK
SHELL	SHELL DRAIN+BRAID

USB2.0 RS232 Converter  
 A-Stecker/DB9-Stecker 1,8 m  
 Unterstützt die RS232 DB9, DB25 Anschluss von seriellen Geräten an USB-Controller  
 Stromversorgung via USB-BUS  
 WN98SE/2000/ME/XP/VISTA/MACOS  
 Im Lieferumfang:  
 Gender Changer DB9-Buchse/DB25 Stecker und umfangreiche Treiber CD

NOTES:

- 1) P1 DIE NO: OD09Z01
- 2) P2 DIE NO: OU04004
- 3) MOLDING COLOR: CLEAR BLUE
- 4) CABLE COLOR: CLEAR BRAID: 85%
- 5) PRIMARY DIM: A

4	OUTER JACKET PVC 60P CLEAR BLUE(2106)
3	DB9M WHITE SOLDER TYPE TERMINAL GOLD FLASH
2	USB A TYPE 4P MALE WHITE SOLDER TYPE
1	UL2725 28#1P+24#2C+Aluminum foil+Braid(85%)+Drain OD:5.0MM CLEAR(2101) 1750MM

DRAWING APPROVED _____ DATE: _____	
SAMPLE APPROVED PER _____ DATE: _____	
DRAWING SPECIFICATIONS _____	
PROPRIETARY & CONFIDENTIAL, THIS DOCUMENT MAY NOT BE COPIED, OR DISCLOSED IN WHOLE OR IN PART WITHOUT THE WRITTEN CONSENT OF EFB.	
MM	TITLE
SCALE	USB TO RS232 CABLE
SHEET	1/1
UNLESS OTHERWISE NOTED	CUS. P/N
21	2110-0748
JZZL	AW/LSL
REV. A	CUS. REV.

ENC. \_\_\_\_\_ DATE \_\_\_\_\_

CHECKED \_\_\_\_\_ DATE \_\_\_\_\_

APPROVED \_\_\_\_\_ DATE \_\_\_\_\_